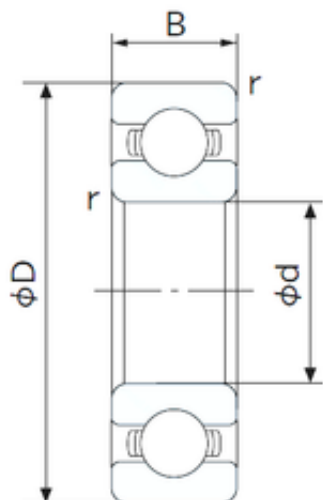




China 608 Bearing Supplier



6200 to 6215 - O&Kai Z1V1 Z2V2 Z3V3 Deep Groove Ball Bearing SKF NSK NTN NACHI Koyo FAG OEM

Bearing No. 6200

Size	10x30x9 mm
Bore Diameter	10 mm
Outer Diameter	30 mm
Width	9 mm
d	10 mm
D	30 mm
B	9 mm
C	9 mm
r min.	0.6 mm
da min.	15 mm
Da max.	25 mm
ra max.	0.6 mm
Weight	0.032 Kg
Basic dynamic load rating (C)	5,1 kN
Basic static load rating (C0)	2,39 kN
(Grease) Lubrication Speed	24000 r/min
Category	Single Row Ball Bearings
Inventory	0.0
Manufacturer Name	NACHI
Minimum Buy Quantity	N/A
Weight / Kilogram	0
Product Group	B00308
Enclosure	Open
Precision Class	ABEC 1 ISO P0

6200 Bearing 2D drawings and 3D CAD models



China 608 Bearing Supplier

Maximum Capacity / Filling Slot	No
Rolling Element	Ball Bearing
Snap Ring	No
Internal Special Features	No
Cage Material	Steel
Internal Clearance	C0-Medium
Inch - Metric	Metric
Long Description	10MM Bore; 30MM Outside Diameter; 9MM Outer Race Width; Open; Ball Bearing; ABEC 1 ISO P0; No Filling Slot; No Snap Ring; No Internal Special Features; C0-Medium Internal Clearance; Steel Cage
Other Features	Deep Groove
Category	Single Row Ball Bearing
UNSPSC	31171504
Harmonized Tariff Code	8482.10.50.68
Noun	Bearing
Keyword String	Ball
Manufacturer URL	http://www.nachiamerica.com
Weight / LBS	0.06834
Outer Race Width	0.354 Inch 9 Millimeter
Inner Race Width	0 Inch 0 Millimeter
Bore	0.394 Inch 10 Millimeter
Outside Diameter	1.181 Inch 30 Millimeter
Bore Type	Cylindrical Bore
Configuration	Single Row
Bore Size	10 mm
Width	9 mm
Fillet Radius/Chamfer	0.6 mm



China 608 Bearing Supplier

Dynamic Load Rating	5,100 N
Static Load Rating	2,390 N
Limiting Speed - Grease	25,000 rpm
Limiting Speed - Oil	30,000 rpm
Factor f_0	13.2
Radial Clearance	0.002 to 0.013 mm
da (min)	15 mm
Da (max)	25 mm
ra (max)	0.6 mm